

Product data sheet

Characteristics

TM171DWAL2L

Modicon M171 Optimized Wall thermostat with backlight

Product availability: Non-Stock - Not normally stocked in distribution facility

Price*: 81.03 USD



Main

Range of Product	Modicon M171
Product or Component Type	Display module
Display colour	Monochrome
Supply	External source

Complementary

Display Type	Backlit LCD screen
Number of key	4
Color	White
[Us] rated supply voltage	12 V DC
Power Consumption in W	0 W 5 W
Marking	CE
Realtime clock	With
Local signalling	LCD display
Product Compatibility	Logic controller M171 optimized
Maximum Height	5.39 In (137 mm)
Maximum Width	3.80 In (96.5 mm)
Maximum Depth	1.23 In (31.3 mm)
Net Weight	0.32 Lb(US) (0.143 kg)

Environment

Product Certifications	CURus
IP degree of protection	Front face IP40

Ordering and shipping details

Category	22537 - M171 / M172 HVAC CONTROLLERS
Discount Schedule	PC12
GTIN	03606480752650
Nbr. of units in pkg.	1
Package weight(Lbs)	10.12 Oz (287 g)
Returnability	No
Country of origin	IT

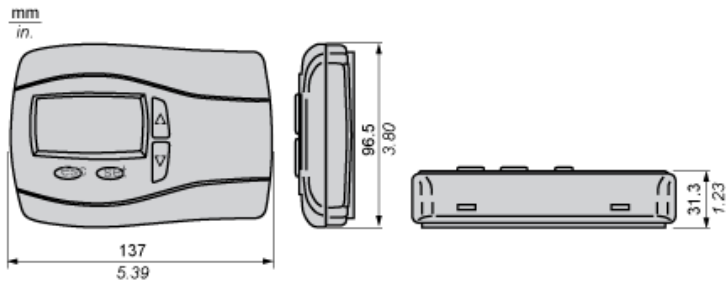
Packing Units

Unit Type of Package 1	PCE
Package 1 Height	5.12 In (13 cm)
Package 1 width	3.58 In (9.1 cm)
Package 1 Length	7.28 In (18.5 cm)
Unit Type of Package 2	S02
Number of Units in Package 2	6
Package 2 Weight	4.46 Lb(US) (2.021 kg)
Package 2 Height	5.91 In (15 cm)
Package 2 width	11.81 In (30 cm)
Package 2 Length	15.75 In (40 cm)

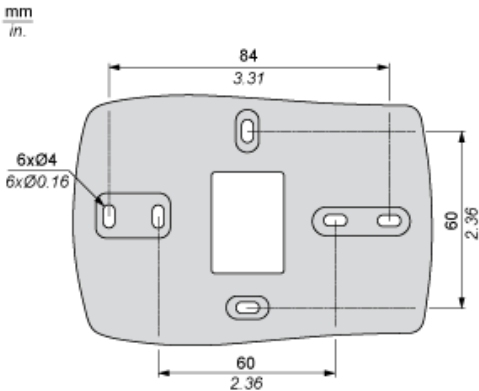
Offer Sustainability

California proposition 65	WARNING: This product can expose you to chemicals including: Lead and lead compounds, which is known to the State of California to cause cancer and birth defects or other reproductive harm. For more information go to www.P65Warnings.ca.gov
REACH Regulation	REACH Declaration
REACH free of SVHC	Yes
EU RoHS Directive	Pro-active compliance (Product out of EU RoHS legal scope) EU RoHS Declaration
Mercury free	Yes
RoHS exemption information	Yes
China RoHS Regulation	China RoHS Declaration
WEEE	The product must be disposed on European Union markets following specific waste collection and never end up in rubbish bins.

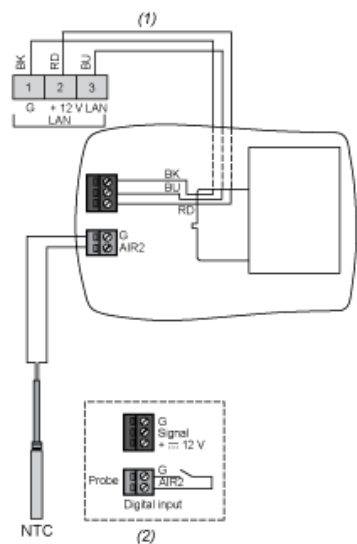
Dimensions



Mounting

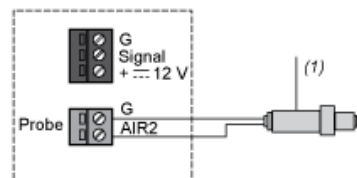


Wiring Diagram



- (1) LAN Expansion bus
- (2) Remote probe not included
- RD : Red
- BU : Blue
- BK : Black

Ex. Transducer



- (1) Power supply

Product Life Status : **Commercialised**